

FLOOD LIGHTS

NIMMO FLOOD

FLOOD LIGHTS

REPLACING 50W-500W METAL HALIDE FLOOD LIGHTS



APPLICATIONS

Waterproof LED flood light in 10W to 200W is a direct replacement for energy consuming 50W-500W metal halide flood lights.

Zero Radiation or Interference, this high powered lamp is perfect for general area flood lighting.

FEATURES & BENEFITS

- CoolTech Engineered for lower operation temperatures
- Up to IP66 & IK08 protection for tough environments
- 1.2m long flex cable for easy installation
- High quality internal driver.

| | 10W | 30W | 50W | 80W | 100W | 150W | 200W |
|-----------------------|---|------------|------------|------------|------------|------------|------------|
| GENERAL | | | | | | | |
| Model Number | NOA-EKO10 | NOA-EKO30 | NOA-EKO50 | NOA-EKO80 | NOA-EKO100 | NOA-EKO150 | NOA-EKO200 |
| Dimensions (mm) | 166x107x32 | 227x167x40 | 311x220x50 | 354x245x55 | 402x295x60 | 430x330x60 | 470x360x60 |
| Weight | 0.5KG | 0.9KG | 2.9KG | 3.86KG | 4.02KG | 5.45KG | 5.9KG |
| Category | Floodlights | | | | | | |
| Lifetime (L70) | Reported: >54,000 hrs & Calculated: Up to 102,000 hrs | | | | | | |
| Ingress Protection | IP65 | | | IP66 | | | |
| Impact Protection | IK08 | | | | | | |
| Warranty | 5 years | | | | | | |
| Cable | 1.2m Cable | | | | | | |
| Storage Temperature | -20 °C to 70 °C | | | | | | |
| Operating Temperature | 50 °C | | | | | | |

| | | | | | | | |
|------------------------|------------------------------------|---------|---------|----------|----------|----------|----------|
| OPTICAL | | | | | | | |
| Output (Lm) | 1000 lm | 3300 lm | 5500 lm | 12000 lm | 15000 lm | 22500 lm | 30000 lm |
| LED Type | PHILIPS LUMILEDS L1305070003000W21 | | | | | | |
| NO. of LED Chips | 10 | 30 | 50 | 168 | 210 | 322 | 420 |
| LED Colour Temperature | 3000K/ 5000K | | | | | | |
| Full Beam Angle | 120° | | | | | | |
| CRI | >70 | | | | | | |

| | | | | | | | |
|-------------------------|-------------------------|--------|--------|-----------------------|--------|--------|--------|
| ELECTRICAL INPUT | | | | | | | |
| Driver Type | Internal KINGSUM Driver | | | Internal SOSEN Driver | | | |
| Input Voltage | 100-240 VAC, 50/60 Hz | | | 220-240 VAC, 50/60Hz | | | |
| Input Current | 0.05A | 0.143A | 0.233A | 0.347A | 0.448A | 0.624A | 0.828A |
| Power Factor | >0.9 | | | | | | |
| Inrush Current (Max.) | 3A | 9A | 15A | 70A | 70A | 110A | 120A |
| Dimming | Non-Dimmable | | | | | | |

COMPLIANCE



AS/NZS 60598.1
AS/NZS 60598.2.5



| | SKU |
|-------------------------------|---------------|
| ORDERING | |
| Floodlight NIM EKO 10W 3K ND | 9343907004108 |
| Floodlight NIM EKO 30W 3K ND | 9343907004109 |
| Floodlight NIM EKO 50W 3K ND | 9343907004110 |
| Floodlight NIM EKO 80W 3K ND | 9343907004111 |
| Floodlight NIM EKO 100W 3K ND | 9343907004112 |
| Floodlight NIM EKO 150W 3K ND | 9343907004113 |
| Floodlight NIM EKO 200W 3K ND | 9343907004114 |

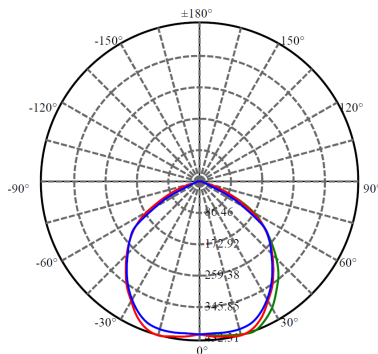
| | SKU |
|-------------------------------|---------------|
| ORDERING | |
| Floodlight NIM EKO 10W 5K ND | 9343907004101 |
| Floodlight NIM EKO 30W 5K ND | 9343907004102 |
| Floodlight NIM EKO 50W 5K ND | 9343907004103 |
| Floodlight NIM EKO 80W 5K ND | 9343907004104 |
| Floodlight NIM EKO 100W 5K ND | 9343907004105 |
| Floodlight NIM EKO 150W 5K ND | 9343907004106 |
| Floodlight NIM EKO 200W 5K ND | 9343907004107 |

FLOOD LIGHTS

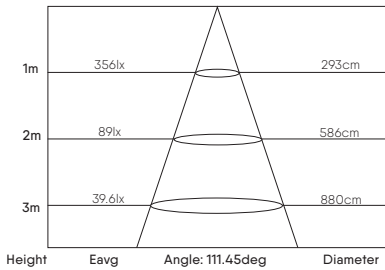
NIMMO FLOOD

LUMINOUS INTENSITY DISTRIBUTION

10W/100LM/W

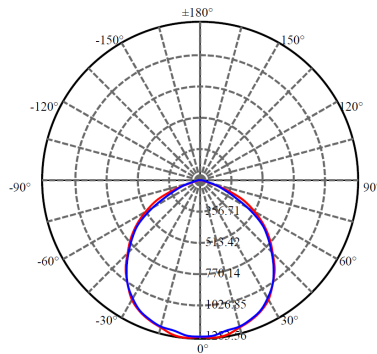


AVERAGE BEAM ANGLE(50%)= 110.3°
Total Flux 1106.78 lm

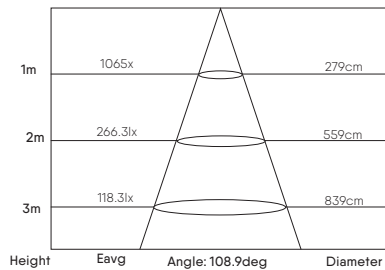


Height Eavg Angle: 111.45deg Diameter

30W/100LM/W

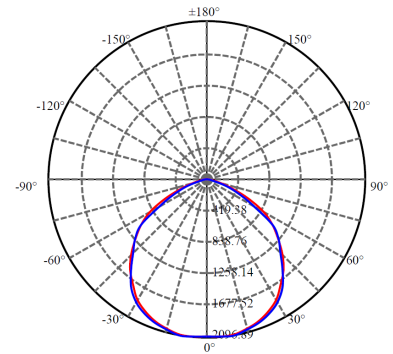


AVERAGE BEAM ANGLE(50%)= 108.9°
Total Flux 3273 lm

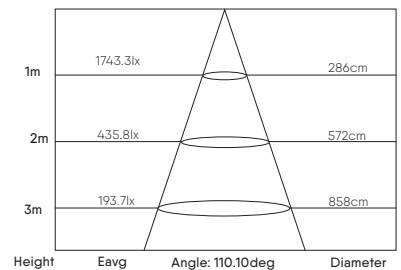


Height Eavg Angle: 108.9deg Diameter

50W/110LM/W

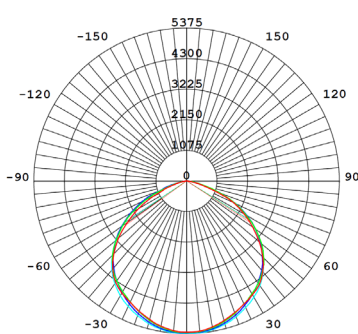


AVERAGE BEAM ANGLE(50%)= 110.1°
Total Flux 5575lm

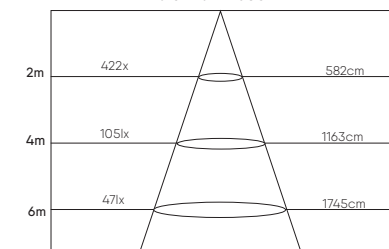


Height Eavg Angle: 110.10deg Diameter

100W/150LM/W

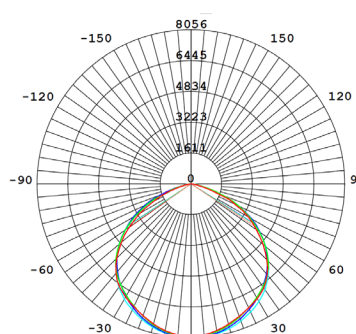


AVERAGE BEAM ANGLE (50%) : 113.4 DEG
Total Flux 14608 lm

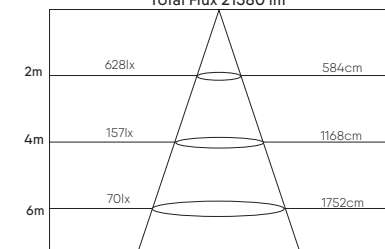


Height Eavg Angle: 113.4deg Diameter

150W/150LM/W

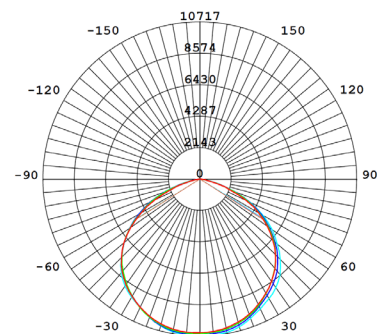


AVERAGE BEAM ANGLE (50%) : 113.3 DEG
Total Flux 21580 lm

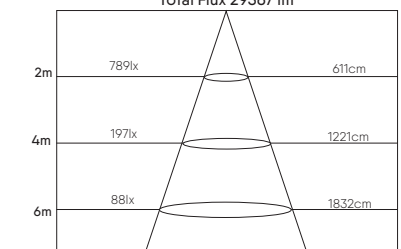


Height Eavg Angle: 113.3deg Diameter

200W/150LM/W



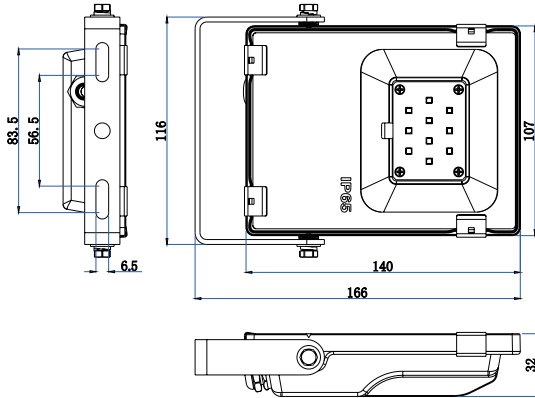
AVERAGE BEAM ANGLE (50%) : 115.5 DEG
Total Flux 29567 lm



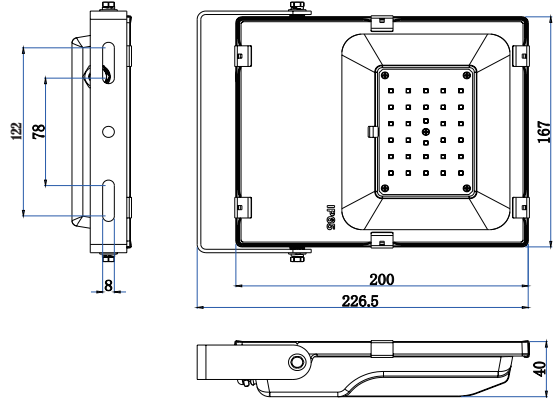
Height Eavg Angle: 115.5deg Diameter

DIMENSIONAL DRAWINGS

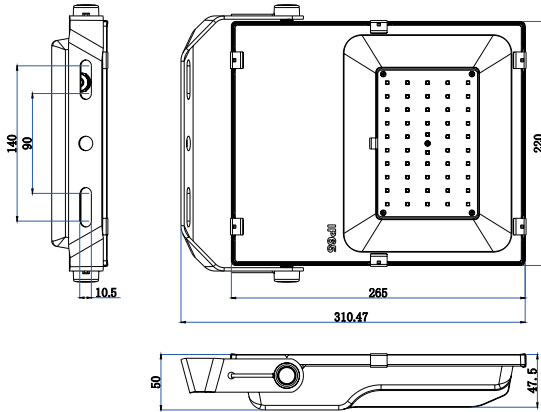
10W



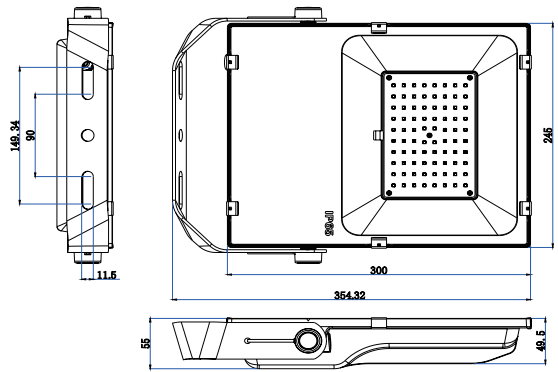
30W



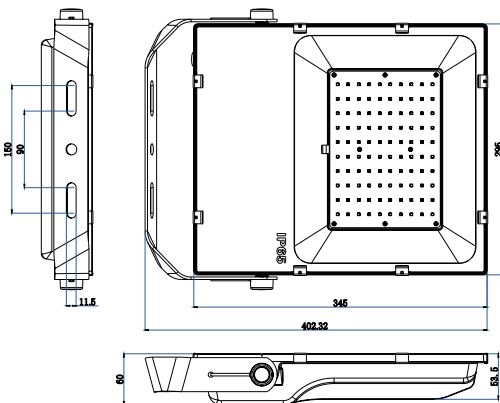
50W



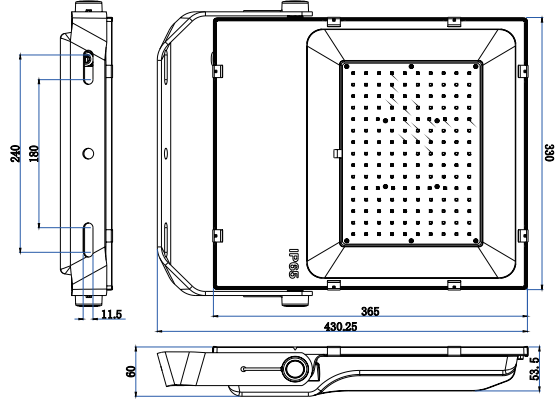
80W



100W



150W



200W

