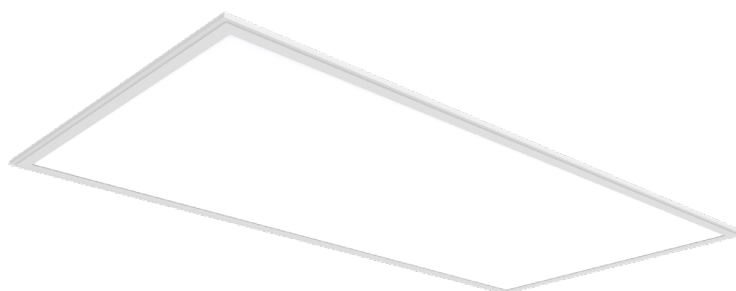


POLAR TRES UGR

TRI-COLOUR UGR PANELS

REPLACING TWIN TUBES
FLUORESCENT FITTINGS



EXTERNAL littil OPIO®
C SERIES DRIVER

APPLICATIONS

POLAR TRES UGR is perfect for office, schools, retail environments or anywhere a low glare panel light is required.

FEATURES & BENEFITS

- High quality PMMA diffuser ensures ultimate light distribution and resists discolouration due to heat or UV.
- Being Flicker-free and Low Glare to provide a comfortable lighting environment.
- Ultra-high luminous efficacy of 120lm/W for additional energy savings.
- Robust and rigid frame ensures no sagging.
- CCT switchable between 3000K, 4000K and 5000K.

NEW COI HOSPITAL PANEL NOW AVAILABLE

- 600 x 600mm & 1200 x 300mm panels in 4000°K
- Low Cyanosis Observation Index (COI) compliant to Australian Standard 1680.2.5
- CRI >90

	6x3	6x6	12x3	12x6
GENERAL				
Model Number	POLAR-TRES-6x3-13W	POLAR-TRES-6x6-22W	POLAR-TRES-12x3-22W	POLAR-TRES-12x6-39W
Dimensions (mm)	595x295	595x595	1195x295	1195x595
Weight	1.1KG	2.0KG	2.3KG	4.3KG
Category	Panel Lights			
Lifetime(L70)	Reported: >54,000hrs			
IP & IK Rating	IP40			
Warranty	5 years			
Cable & Plug	1.2m AC Cable & plug			
Storage Temperature	-20°C ~ 70°C			
Operating Temperature	-20°C ~ 45°C			

OPTICAL				
Beam Angle	90°			
Light Output at 4000°K	1560lm	2640lm	2640lm	4680lm
LED Colour Temperature	Tri colour - 3000K/4000K/5000K			
LED Type	RUNLITE T4014			
Colour Rendering Index	>80			

ELECTRICAL				
Driver Model Number	L-OPIO15W350mA-ND	L-OPIO24W600mA-ND	L-OPIO24W600mA-ND	L-OPIO42W1050mA-ND
Input Voltage	220-240 VAC, 50/60Hz			
Power Factor	>0.9			
Inrush Current	60A			
Output Voltage	37Vdc			
Output Current	0.35A	0.6A	0.6A	1.05A
Dimming	Non-Dimmable			
Sensor Capability	No			

COMPLIANCE



AS/NZS 60598.1
AS/NZS 60598.2.1

ISO 9001

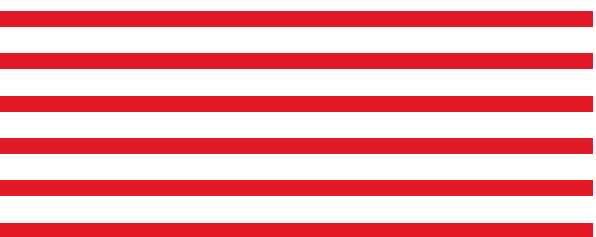


SKU

ORDERING

Panel Polar Tres 6x3 3C ND UGR	9343907004094
Panel Polar Tres 6x6 3C ND UGR	9343907004095
Panel Polar Tres 12x3 3C ND UGR	9343907004096
Panel Polar Tres 12x6 3C ND UGR	9343907004097

PANELS

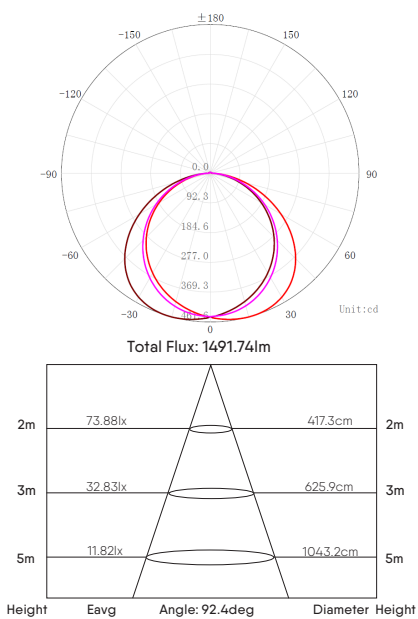


POLAR TRES UGR

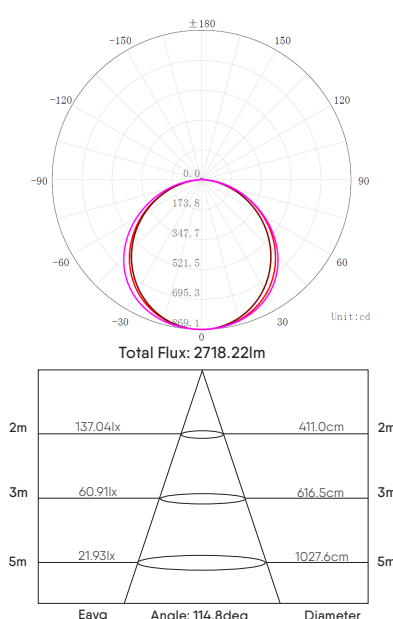
TRI-COLOUR UGR PANELS

LUMINOUS INTENSITY DISTRIBUTION FOR PANELS

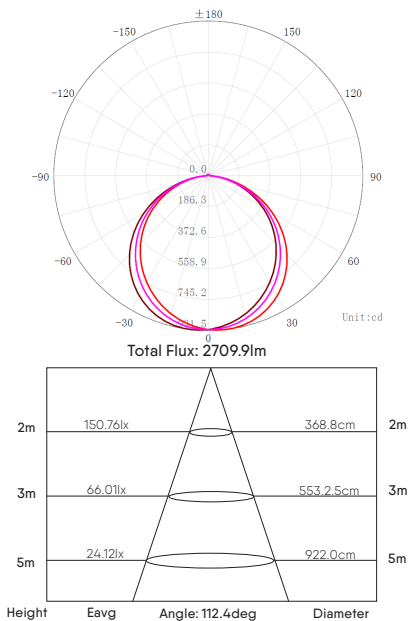
13W/6x3/UGR<19



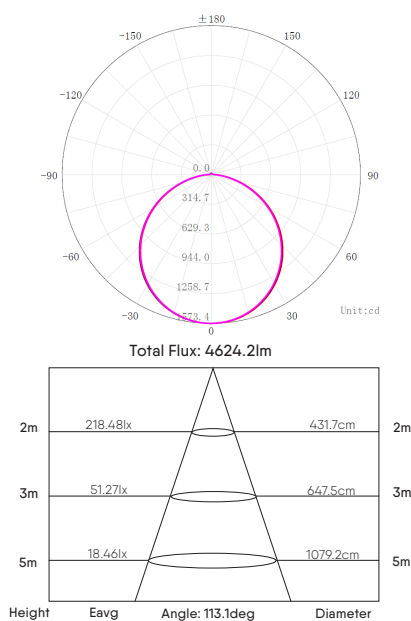
22W/6X6/UGR<19



22W/12X3/UGR<19

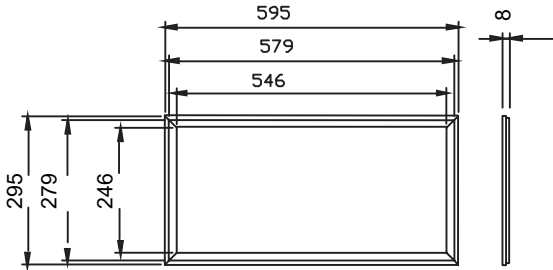


39W/12X6/UGR<19

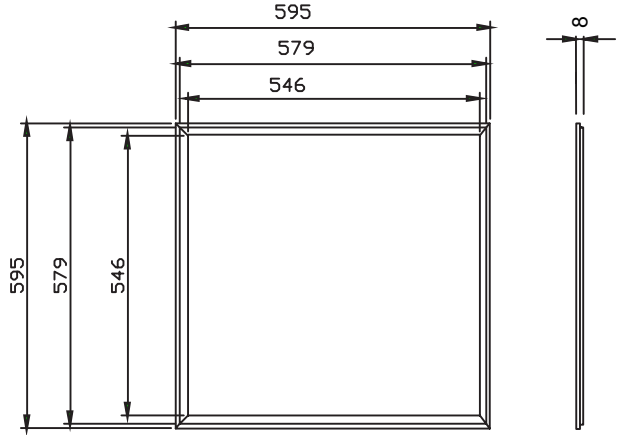


DIMENSIONAL DRAWINGS

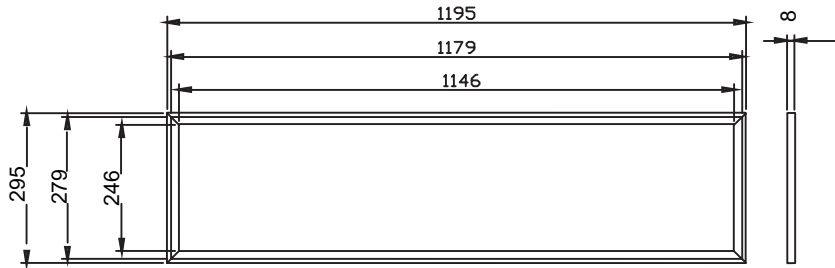
POLAR TRES UGR 6x3



POLAR TRES UGR 6x6



POLAR TRES UGR 12x3



POLAR TRES UGR 12x6

